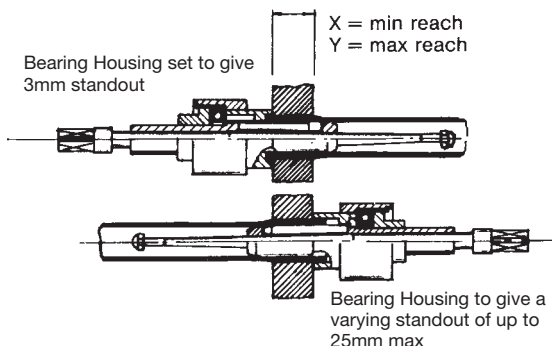


'C' Type RC 800 Series

Self-feeding with Adjustable Bearing Housing

This range of tools is fitted with a reversible bearing housing assembly. This type of housing allows you to set a 3mm standoff on the first tubesheet and a varying standoff of up to 25mm on the second tubesheet. This deeper recess allows the expanded joint to flow unrestricted thus preventing tubes from bending and excessive stresses building up in tube bundle. Excessive standoff can be trimmed back using a tube end facer (see page 39 for details).



EXPANDER with 1 1/2" (38.10mm) long Rollers

EXPANDER with 2 1/4" (57.15mm) long Rollers

X = 1/2" (12.70mm)
Y = 1 1/2" (38.10mm)

X = 1 1/4" (31.75 mm)
Y = 2 1/4" (57.15mm)

Effective parallel rolling length 1 1/4" (31.75mm)

Effective parallel rolling length 2" (50.80mm)

Tube Expanders fitted with 5 rollers are available for expanding thin wall and titanium tubes. Please speak to our sales team for more information.

TABLE RELATING

Tube O.D.	Tube Thickness		Min. I.D. Tube Tool Enters		Maximum Expansion of Tool		Size Sq. on Mandrel	EXPANDER with 1 1/2" (38.10mm) long Rollers			Expander with 2 1/4" (57.15mm) long Rollers				
								Complete Tool No.	Mandrel No.	Set of Rollers No.	Complete Tool No.	Mandrel No.	Set of Rollers No.		
1/2	12.70	14	2.03	.333	8.45	.375	9.52	1/4	6.35	RC800S	CM800S	CR0			
1/2	12.70	15	1.83	.344	8.74	.394	10.00	1/4	6.35	RC800	CM0	CR0			
1/2	12.70	16	1.63	.360	9.14	.410	10.41	1/4	6.35	RC801	CM1	CR1			
1/2	12.70	17	1.42	.374	9.53	.424	10.77	1/4	6.35	RC803	CM1	CR2			
1/2	12.70	18	1.22	.392	9.96	.447	11.35	3/8	9.53	RC805	CM2	CR3			
1/2	12.70	20	0.88	.410	10.41	.465	11.81	3/8	9.53	RC805S	CM2	CR4			
5/8	15.88	12	2.64	.392	9.96	.447	11.35	3/8	9.53	RC805	CM2	CR3			
5/8	15.88	13	2.34	.425	10.80	.480	12.19	3/8	9.53	RC807	CM3	CR4			
5/8	15.88	14	2.03	.449	11.41	.509	12.93	3/8	9.53	RC809	CM4	CR4	RC810	CM4	CR4A
5/8	15.88	15	1.83	.471	11.96	.536	13.61	3/8	9.53	RC811	CM5	CR5	RC812	CM5	CR5A
5/8	15.88	16	1.63	.485	12.33	.550	13.97	3/8	9.53	RC813	CM5	CR6	RC814	CM5	CR6A
5/8	15.88	17	1.42	.499	12.68	.564	14.33	3/8	9.53	RC815	CM6	CR6	RC816	CM6	CR6A
5/8	15.88	18	1.22	.517	13.13	.572	14.53	3/8	9.53	RC817	CM5	CR7	RC818	CM5	CR7A
3/4	19.05	10	3.25	.471	11.96	.536	13.61	3/8	9.53	RC811	CM5	CR5	RC812	CM5	CR5A
3/4	19.05	11	2.95	.499	12.68	.564	14.33	3/8	9.53	RC815	CM6	CR6	RC816	CM6	CR6A
3/4	19.05	12	2.64	.522	13.26	.582	14.78	3/8	9.53	RC819	CM6	CR7	RC820	CM6	CR7A
3/4	19.05	13	2.34	.550	13.97	.615	15.62	3/8	9.53	RC821	CM8	CR8	RC822	CM8	CR8A
3/4	19.05	14	2.03	.574	14.58	.639	16.23	3/8	9.53	RC823	CM8	CR9	RC824	CM8	CR9A
3/4	19.05	15	1.83	.596	15.14	.661	16.79	3/8	9.53	RC825	CM8	CR10	RC826	CM8	CR10A
3/4	19.05	16	1.63	.605	15.37	.685	17.40	3/8	9.53	RC827	CM9	CR10	RC828	CM9	CR10A
3/4	19.05	17	1.42	.619	15.72	.699	17.75	3/8	9.53	RC829	CM9	CR11	RC830	CM9	CR11A
3/4	19.05	18	1.22	.619	15.72	.699	17.75	3/8	9.53	RC829	CM9	CR11	RC830	CM9	CR11A
7/8	22.23	10	3.25	.596	15.14	.661	16.79	3/8	9.53	RC825	CM8	CR10	RC826	CM8	CR10A
7/8	22.23	11	2.95	.619	15.72	.699	17.75	3/8	9.53	RC829	CM9	CR11	RC830	CM9	CR11A
7/8	22.23	12	2.64	.642	16.31	.722	18.34	3/8	9.53	RC831	CM9	CR12	RC832	CM9	CR12A
7/8	22.23	13	2.34	.670	17.02	.750	19.05	3/8	9.53	RC833	CM10	CR13	RC834	CM10	CR13A

NOTE – Mandrels supplied with square shank unless otherwise specially ordered



'C' Type RC 800 Series

(continued)

Tube O.D.		Tube Thickness		Min. I.D. Tube Tool Enters		Maximum Expansion of Tool		Size Sq. on Mandrel		EXPANDER with 1 1/2" (38.10mm) long Rollers			Expander with 2 1/4" (57.15mm) long Rollers		
										Complete Tool No.	Mandrel No.	Set of Rollers No.	Complete Tool No.	Mandrel No.	Set of Rollers No.
ins	mm	g'ge	mm	ins	mm	ins	mm	ins	mm						
7/8	22.23	14	2.03	.685	17.40	.774	19.66	3/8	9.53	RC835	CM11	CR14	RC836	CM11	CR14A
7/8	22.23	15	1.83	.712	18.08	.801	20.35	3/8	9.53	RC837	CM11	CR15	RC838	CM11	CR15A
7/8	22.23	16	1.63	.726	18.44	.815	20.70	3/8	9.53	RC839	CM12	CR15	RC840	CM12	CR15A
1	25.40	8	4.06	.655	16.64	.735	18.67	3/8	9.53	RC841	CM9	CR13	RC842	CM9	CR13A
1	25.40	9	3.66	.685	17.40	.774	19.66	3/8	9.53	RC835	CM11	CR14	RC836	CM11	CR14A
1	25.40	10	3.25	.712	18.08	.801	20.35	3/8	9.53	RC837	CM11	CR15	RC838	CM11	CR15A
1	25.40	11	2.95	.740	18.80	.829	21.06	3/8	9.53	RC843	CM12	CR16	RC844	CM12	CR16A
1	25.40	12	2.64	.763	19.38	.852	21.64	3/8	9.53	RC845	CM12	CR17	RC846	CM12	CR17A
1	25.40	13	2.34	.791	20.10	.880	22.35	3/8	9.53	RC847	CM12	CR18	RC848	CM12	CR18A
1	25.40	14	2.03	.810	20.57	.909	23.09	3/8	9.53	RC849	CM13	CR18	RC850	CM13	CR18A
1	25.40	15	1.83	.837	21.26	.936	23.77	3/8	9.53	RC851	CM13	CR19	RC852	CM13	CR19A
1	25.40	16	1.63	.837	21.26	.936	23.77	3/8	9.53	RC851	CM13	CR19	RC852	CM13	CR19A
1 1/8	28.58	8	4.06	.776	19.71	.875	22.23	3/8	9.53	RC853	CM13	CR20	RC854	CM13	CR20A
1 1/8	28.58	9	3.66	.810	20.57	.909	23.09	3/8	9.53	RC849	CM13	CR18	RC850	CM13	CR18A
1 1/8	28.58	10	3.25	.837	21.26	.936	23.77	3/8	9.53	RC851	CM13	CR19	RC852	CM13	CR19A
1 1/8	28.58	11	2.95	.865	21.97	.964	24.49	3/8	9.53	RC855	CM13	CR21	RC856	CM13	CR21A
1 1/8	28.58	12	2.64	.883	22.43	.982	24.94	1/2	12.70	RC857	CM14	CR21	RC858	CM14	CR21A
1 1/8	28.58	13	2.34	.916	23.27	1.015	25.78	1/2	12.70	RC859	CM14	CR22	RC860	CM14	CR22A
1 1/8	28.58	14	2.03	.935	23.75	1.044	26.52	1/2	12.70	RC861	CM15	CR23	RC862	CM15	CR23A
1 1/8	28.58	15	1.83	.962	24.43	1.071	27.20	1/2	12.70	RC863	CM15	CR24	RC864	CM15	CR24A
1 1/8	28.58	16	1.63	.962	24.43	1.071	27.20	1/2	12.70	RC863	CM15	CR24	RC864	CM15	CR24A
1 1/4	31.75	8	4.06	.901	22.89	1.010	25.65	1/2	12.70	RC865	CM15	CR25	RC866	CM15	CR25A
1 1/4	31.75	9	3.66	.935	23.75	1.044	26.52	1/2	12.70	RC861	CM15	CR23	RC862	CM15	CR23A
1 1/4	31.75	10	3.25	.962	24.43	1.071	27.20	1/2	12.70	RC863	CM15	CR24	RC864	CM15	CR24A
1 1/4	31.75	11	2.95	.990	25.15	1.099	27.91	1/2	12.70	RC867	CM16	CR26	RC868	CM16	CR26A
1 1/4	31.75	12	2.64	1.013	25.73	1.122	28.49	1/2	12.70	RC869	CM16	CR27	RC870	CM16	CR27A
1 1/4	31.75	13	2.34	1.041	26.44	1.150	29.21	1/2	12.70	RC871	CM17	CR28	RC872	CM17	CR28A
1 1/4	31.75	14	2.03	1.060	26.92	1.169	29.70	1/2	12.70	RC873	CM17	CR29	RC874	CM17	CR29A
1 1/4	31.75	15	1.83	1.087	27.61	1.196	30.38	1/2	12.70	RC875	CM17	CR30	RC876	CM17	CR30A
1 1/4	31.75	16	1.63	1.087	27.61	1.196	30.38	1/2	12.70	RC875	CM17	CR30	RC876	CM17	CR30A
1 3/8	34.93	8	4.06	1.026	26.06	1.135	28.83	1/2	12.70	RC877	CM17	CR31	RC878	CM17	CR31A
1 3/8	34.93	9	3.66	1.060	26.92	1.169	29.70	1/2	12.70	RC873	CM17	CR29	RC874	CM17	CR29A
1 3/8	34.93	10	3.25	1.087	27.61	1.196	30.38	1/2	12.70	RC875	CM17	CR30	RC876	CM17	CR30A
1 3/8	34.93	11	2.95	1.115	28.32	1.224	31.09	1/2	12.70	RC879	CM18	CR30	RC880	CM18	CR30A
1 3/8	34.93	12	2.64	1.133	28.78	1.242	31.55	1/2	12.70	RC881	CM18	CR32	RC882	CM18	CR32A
1 3/8	34.93	13	2.34	1.160	29.46	1.275	32.38	1/2	12.70	RC883	CM19	CR33	RC884	CM19	CR33A
1 3/8	34.93	14	2.03	1.179	29.95	1.294	32.87	1/2	12.70	RC885	CM20	CR34	RC886	CM20	CR34A
1 3/8	34.93	15	1.83	1.206	30.63	1.321	33.55	1/2	12.70	RC887	CM20	CR35	RC888	CM20	CR35A
1 3/8	34.93	16	1.63	1.206	30.63	1.321	33.55	1/2	12.70	RC887	CM20	CR35	RC888	CM20	CR35A
1 1/2	38.10	8	4.06	1.145	29.08	1.260	32.00	1/2	12.70	RC889	CM19	CR34	RC890	CM19	CR34A
1 1/2	38.10	9	3.66	1.179	29.95	1.294	32.87	1/2	12.70	RC885	CM20	CR34	RC886	CM20	CR34A
1 1/2	38.10	10	3.25	1.206	30.63	1.321	33.55	1/2	12.70	RC887	CM20	CR35	RC888	CM20	CR35A
1 1/2	38.10	11	2.95	1.235	31.39	1.350	34.29	1/2	12.70	RC891	CM20	CR36	RC892	CM20	CR36A
1 1/2	38.10	12	2.64	1.257	31.93	1.372	34.85	1/2	12.70	RC893	CM20	CR37	RC894	CM20	CR37A
1 1/2	38.10	13	2.34	1.285	32.64	1.400	35.56	1/2	12.70	RC895	CM21	CR37	RC896	CM21	CR37A
1 1/2	38.10	14	2.03	1.285	32.64	1.400	35.56	1/2	12.70	RC895	CM21	CR37	RC896	CM21	CR37A
1 1/2	38.10	15	1.83	1.331	33.81	1.446	36.73	1/2	12.70	RC897	CM21	CR38	RC898	CM21	CR38A
1 1/2	38.10	16	1.63	1.331	33.81	1.446	36.73	1/2	12.70	RC897	CM21	CR38	RC898	CM21	CR38A

NOTE – Mandrels supplied with square shank unless otherwise specially ordered

WICKSTEED ENGINEERING LIMITED