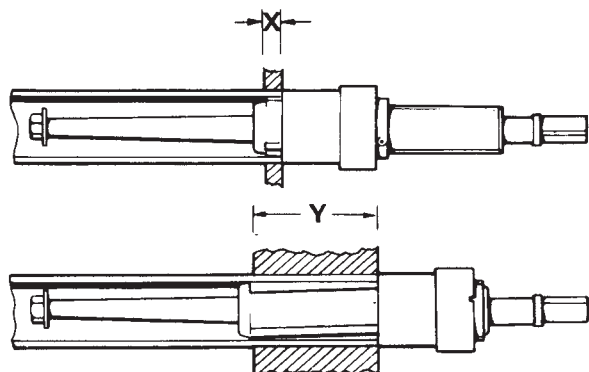


'C' Type 800 Series

Self-feeding with Adjustable Bearing Housing



EXPANDER with 1 1/2" (38.10mm) long Rollers

X = 1/2" (12.70mm)
Y = 1 1/2" (38.10mm)

Effective parallel rolling length 1 1/4" (31.75mm)

EXPANDER with 2 1/4" (57.15mm) long Rollers

X = 1 1/4" (31.75mm)
Y = 2 1/4" (57.15mm)

Effective parallel rolling length 2" (50.80mm)



Tube Expanders fitted with 5 rollers are available for expanding thin wall and titanium tubes. Please speak to our sales team for more information.

TABLE RELATING

Tube O.D.	Tube Thickness		Min. I.D. Tube Tool Enters		Maximum Expansion of Tool		Size Sq. on Mandrel		EXPANDER with 1 1/2" (38.10mm) long Rollers			Expander with 2 1/4" (57.15mm) long Rollers			
									Complete Tool No.	Mandrel No.	Set of Rollers No.	Complete Tool No.	Mandrel No.	Set of Rollers No.	
ins	mm	g'ge	mm	ins	mm	ins	mm	ins	mm						
1/2	12.70	14	2.03	.333	8.45	.375	9.52	1/4	6.35	C800S	CM800S	CR0			
1/2	12.70	15	1.83	.344	8.74	.394	10.00	1/4	6.35	C800	CM0	CR0			
1/2	12.70	16	1.63	.360	9.14	.410	10.41	1/4	6.35	C801	CM1	CR1			
1/2	12.70	17	1.42	.374	9.53	.424	10.77	1/4	6.35	C803	CM1	CR2			
1/2	12.70	18	1.22	.392	9.96	.447	11.35	3/8	9.53	C805	CM2	CR3			
1/2	12.70	20	0.88	.410	10.41	.465	11.81	3/8	9.53	C805S	CM2	CR4			
5/8	15.88	12	2.64	.392	9.96	.447	11.35	3/8	9.53	C805	CM2	CR3			
5/8	15.88	13	2.34	.425	10.80	.480	12.19	3/8	9.53	C807	CM3	CR4			
5/8	15.88	14	2.03	.449	11.41	.509	12.93	3/8	9.53	C809	CM4	CR4	C810	CM4	CR4A
5/8	15.88	15	1.83	.471	11.96	.536	13.61	3/8	9.53	C811	CM5	CR5	C812	CM5	CR5A
5/8	15.88	16	1.63	.485	12.33	.550	13.97	3/8	9.53	C813	CM5	CR6	C814	CM5	CR6A
5/8	15.88	17	1.42	.499	12.68	.564	14.33	3/8	9.53	C815	CM6	CR6	C816	CM6	CR6A
5/8	15.88	18	1.22	.517	13.13	.572	14.53	3/8	9.53	C817	CM5	CR7	C818	CM5	CR7A
3/4	19.05	10	3.25	.471	11.96	.536	13.61	3/8	9.53	C811	CM5	CR5	C812	CM5	CR5A
3/4	19.05	11	2.95	.499	12.68	.564	14.33	3/8	9.53	C815	CM6	CR6	C816	CM6	CR6A
3/4	19.05	12	2.64	.522	13.26	.582	14.78	3/8	9.53	C819	CM6	CR7	C820	CM6	CR7A
3/4	19.05	13	2.34	.550	13.97	.615	15.62	3/8	9.53	C821	CM8	CR8	C822	CM8	CR8A
3/4	19.05	14	2.03	.574	14.58	.639	16.23	3/8	9.53	C823	CM8	CR9	C824	CM8	CR9A
3/4	19.05	15	1.83	.596	15.14	.661	16.79	3/8	9.53	C825	CM8	CR10	C826	CM8	CR10A
3/4	19.05	16	1.63	.605	15.37	.685	17.40	3/8	9.53	C827	CM9	CR10	C828	CM9	CR10A
3/4	19.05	17	1.42	.619	15.72	.699	17.75	3/8	9.53	C829	CM9	CR11	C830	CM9	CR11A
3/4	19.05	18	1.22	.619	15.72	.699	17.75	3/8	9.53	C829	CM9	CR11	C830	CM9	CR11A
7/8	22.23	10	3.25	.596	15.14	.661	16.79	3/8	9.53	C825	CM8	CR10	C826	CM8	CR10A
7/8	22.23	11	2.95	.619	15.72	.699	17.75	3/8	9.53	C829	CM9	CR11	C830	CM9	CR11A
7/8	22.23	12	2.64	.642	16.31	.722	18.34	3/8	9.53	C831	CM9	CR12	C832	CM9	CR12A
7/8	22.23	13	2.34	.670	17.02	.750	19.05	3/8	9.53	C833	CM10	CR13	C834	CM10	CR13A

NOTE – Mandrels supplied with square shank unless otherwise specially ordered



'C' Type 800 Series

(continued)

Tube O.D.	Tube Thickness		Min. I.D. Tube Tool Enters		Maximum Expansion of Tool		Size Sq. on Mandrel	EXPANDER with 1 1/2" (38-10mm) long Rollers			Expander with 2 1/4" (57-15mm) long Rollers				
								Complete Tool No.	Mandrel No.	Set of Rollers No.	Complete Tool No.	Mandrel No.	Set of Rollers No.		
ins mm g'ge mm	ins mm	ins mm	ins mm	ins mm	ins mm	ins mm	ins mm								
7/8	22.23	14	2.03	.685	17.40	.774	19.66	3/8	9.53	C835	CM11	CR14	C836	CM11	CR14A
7/8	22.23	15	1.83	.712	18.08	.801	20.35	3/8	9.53	C837	CM11	CR15	C838	CM11	CR15A
7/8	22.23	16	1.63	.726	18.44	.815	20.70	3/8	9.53	C839	CM12	CR15	C840	CM12	CR15A
1	25.40	8	4.06	.655	16.64	.735	18.67	3/8	9.53	C841	CM9	CR13	C842	CM9	CR13A
1	25.40	9	3.66	.685	17.40	.774	19.66	3/8	9.53	C835	CM11	CR14	C836	CM11	CR14A
1	25.40	10	3.25	.712	18.08	.801	20.35	3/8	9.53	C837	CM11	CR15	C838	CM11	CR15A
1	25.40	11	2.95	.740	18.80	.829	21.06	3/8	9.53	C843	CM12	CR16	C844	CM12	CR16A
1	25.40	12	2.64	.763	19.38	.852	21.64	3/8	9.53	C845	CM12	CR17	C846	CM12	CR17A
1	25.40	13	2.34	.791	20.10	.880	22.35	3/8	9.53	C847	CM12	CR18	C848	CM12	CR18A
1	25.40	14	2.03	.810	20.57	.909	23.09	3/8	9.53	C849	CM13	CR18	C850	CM13	CR18A
1	25.40	15	1.83	.837	21.26	.936	23.77	3/8	9.53	C851	CM13	CR19	C852	CM13	CR19A
1	25.40	16	1.63	.837	21.26	.936	23.77	3/8	9.53	C851	CM13	CR19	C852	CM13	CR19A
1 1/8	28.58	8	4.06	.776	19.71	.875	22.23	3/8	9.53	C853	CM13	CR20	C854	CM13	CR20A
1 1/8	28.58	9	3.66	.810	20.57	.909	23.09	3/8	9.53	C849	CM13	CR18	C850	CM13	CR18A
1 1/8	28.58	10	3.25	.837	21.26	.936	23.77	3/8	9.53	C851	CM13	CR19	C852	CM13	CR19A
1 1/8	28.58	11	2.95	.865	21.97	.964	24.49	3/8	9.53	C855	CM13	CR21	C856	CM13	CR21A
1 1/8	28.58	12	2.64	.883	22.43	.982	24.94	1/2	12.70	C857	CM14	CR21	C858	CM14	CR21A
1 1/8	28.58	13	2.34	.916	23.27	1.015	25.78	1/2	12.70	C859	CM14	CR22	C860	CM14	CR22A
1 1/8	28.58	14	2.03	.935	23.75	1.044	26.52	1/2	12.70	C861	CM15	CR23	C862	CM15	CR23A
1 1/8	28.58	15	1.83	.962	24.43	1.071	27.20	1/2	12.70	C863	CM15	CR24	C864	CM15	CR24A
1 1/8	28.58	16	1.63	.962	24.43	1.071	27.20	1/2	12.70	C863	CM15	CR24	C864	CM15	CR24A
1 1/4	31.75	8	4.06	.901	22.89	1.010	25.65	1/2	12.70	C865	CM15	CR25	C866	CM15	CR25A
1 1/4	31.75	9	3.66	.935	23.75	1.044	26.52	1/2	12.70	C861	CM15	CR23	C862	CM15	CR23A
1 1/4	31.75	10	3.25	.962	24.43	1.071	27.20	1/2	12.70	C863	CM15	CR24	C864	CM15	CR24A
1 1/4	31.75	11	2.95	.990	25.15	1.099	27.91	1/2	12.70	C867	CM16	CR26	C868	CM16	CR26A
1 1/4	31.75	12	2.64	1.013	25.73	1.122	28.49	1/2	12.70	C869	CM16	CR27	C870	CM16	CR27A
1 1/4	31.75	13	2.34	1.041	26.44	1.150	29.21	1/2	12.70	C871	CM17	CR28	C872	CM17	CR28A
1 1/4	31.75	14	2.03	1.060	26.92	1.169	29.70	1/2	12.70	C873	CM17	CR29	C874	CM17	CR29A
1 1/4	31.75	15	1.83	1.087	27.61	1.196	30.38	1/2	12.70	C875	CM17	CR30	C876	CM17	CR30A
1 1/4	31.75	16	1.63	1.087	27.61	1.196	30.38	1/2	12.70	C875	CM17	CR30	C876	CM17	CR30A
1 3/8	34.93	8	4.06	1.026	26.06	1.135	28.83	1/2	12.70	C877	CM17	CR31	C878	CM17	CR31A
1 3/8	34.93	9	3.66	1.060	26.92	1.169	29.70	1/2	12.70	C873	CM17	CR29	C874	CM17	CR29A
1 3/8	34.93	10	3.25	1.087	27.61	1.196	30.38	1/2	12.70	C875	CM17	CR30	C876	CM17	CR30A
1 3/8	34.93	11	2.95	1.115	28.32	1.224	31.09	1/2	12.70	C879	CM18	CR30	C880	CM18	CR30A
1 3/8	34.93	12	2.64	1.133	28.78	1.242	31.55	1/2	12.70	C881	CM18	CR32	C882	CM18	CR32A
1 3/8	34.93	13	2.34	1.160	29.46	1.275	32.38	1/2	12.70	C883	CM19	CR33	C884	CM19	CR33A
1 3/8	34.93	14	2.03	1.179	29.95	1.294	32.87	1/2	12.70	C885	CM20	CR34	C886	CM20	CR34A
1 3/8	34.93	15	1.83	1.206	30.63	1.321	33.55	1/2	12.70	C887	CM20	CR35	C888	CM20	CR35A
1 3/8	34.93	16	1.63	1.206	30.63	1.321	33.55	1/2	12.70	C887	CM20	CR35	C888	CM20	CR35A
1 1/2	38.10	8	4.06	1.145	29.08	1.260	32.00	1/2	12.70	C889	CM19	CR34	C890	CM19	CR34A
1 1/2	38.10	9	3.66	1.179	29.95	1.294	32.87	1/2	12.70	C885	CM20	CR34	C886	CM20	CR34A
1 1/2	38.10	10	3.25	1.206	30.63	1.321	33.55	1/2	12.70	C887	CM20	CR35	C888	CM20	CR35A
1 1/2	38.10	11	2.95	1.235	31.39	1.350	34.29	1/2	12.70	C891	CM20	CR36	C892	CM20	CR36A
1 1/2	38.10	12	2.64	1.257	31.93	1.372	34.85	1/2	12.70	C893	CM20	CR37	C894	CM20	CR37A
1 1/2	38.10	13	2.34	1.285	32.64	1.400	35.56	1/2	12.70	C895	CM21	CR37	C896	CM21	CR37A
1 1/2	38.10	14	2.03	1.285	32.64	1.400	35.56	1/2	12.70	C895	CM21	CR37	C896	CM21	CR37A
1 1/2	38.10	15	1.83	1.331	33.81	1.446	36.73	1/2	12.70	C897	CM21	CR38	C898	CM21	CR38A
1 1/2	38.10	16	1.63	1.331	33.81	1.446	36.73	1/2	12.70	C897	CM21	CR38	C898	CM21	CR38A

NOTE – Mandrels supplied with square shank unless otherwise specially ordered

WICKSTEED ENGINEERING LIMITED