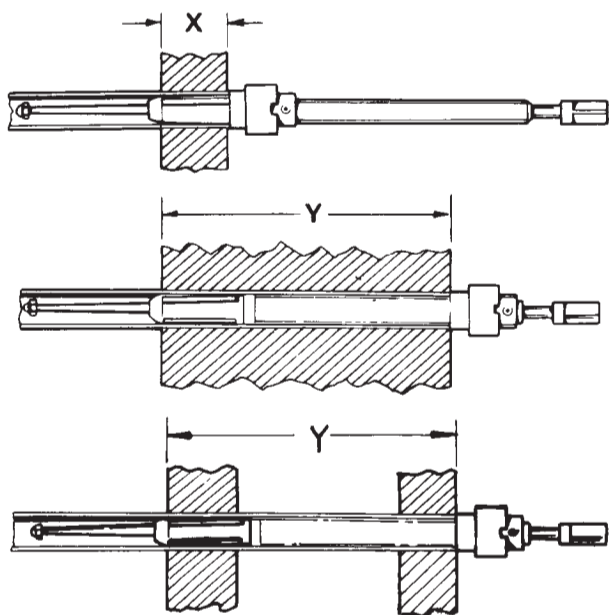


'C' Type 1200 Series

Long Reach, Self Feeding with Adjustable Bearing Housing



EXPANDER with 1½" (38.10mm) long Rollers

X = 1½" (38.10mm)
Y = 6" (152.40mm)

Effective parallel rolling length 1¼" (31.75mm)

EXPANDER with 2¼" (57.15mm) long Rollers

X = 2¼" (57.15mm)
Y = 6¾" (171.45mm)

Effective parallel rolling length 2" (50.80mm)



Tube Expanders fitted with 5 rollers are available for expanding thin wall and titanium tubes. Please speak to our sales team for more information.

TABLE RELATING

Tube O.D.	Tube Thickness		Min. I.D. Tube Tool Enters		Maximum Expansion of Tool		Size Sq. on Mandrel		EXPANDER with 1½" (38.10mm) long Rollers			Expander with 2¼" (57.15mm) long Rollers			
									Complete Tool No.	Mandrel No.	Set of Rollers No.	Complete Tool No.	Mandrel No.	Set of Rollers No.	
1/2	12.70	14	2.03	.333	8.45	.375	9.52	1/4	6.35	C1200S	CM1200S	CR0			
1/2	12.70	15	1.83	.344	8.74	.394	10.00	1/4	6.35	C1200	CM50	CR0			
1/2	12.70	16	1.63	.360	9.14	.410	10.41	1/4	6.35	C1201	CM51	CR1			
1/2	12.70	17	1.42	.374	9.50	.424	10.77	1/4	6.35	C1203	CM51	CR2			
1/2	12.70	18	1.22	.392	9.96	.447	11.35	3/8	9.53	C1205	CM52	CR3			
5/8	15.88	12	2.64	.392	9.96	.447	11.35	3/8	9.53	C1205	CM52	CR3			
5/8	15.88	13	2.34	.425	10.79	.480	12.19	3/8	9.53	C1207	CM53	CR4			
5/8	15.88	14	2.03	.449	11.40	.509	12.93	3/8	9.53	C1209	CM54	CR4	C1210	CM54	CR4A
5/8	15.88	15	1.83	.471	11.96	.536	13.61	3/8	9.53	C1211	CM55	CR5	C1212	CM55	CR5A
5/8	15.88	16	1.63	.485	12.32	.550	13.97	3/8	9.53	C1213	CM55	CR6	C1214	CM55	CR6A
5/8	15.88	17	1.42	.499	12.67	.564	14.33	3/8	9.53	C1215	CM56	CR6	C1216	CM56	CR6A
5/8	15.88	18	1.22	.517	13.13	.572	14.53	3/8	9.53	C1217	CM57	CR7	C1218	CM57	CR7A
3/4	19.05	10	3.25	.471	11.96	.536	13.61	3/8	9.53	C1211	CM55	CR5	C1212	CM55	CR5A
3/4	19.05	11	2.95	.499	12.67	.564	14.33	3/8	9.53	C1215	CM56	CR6	C1216	CM56	CR6A
3/4	19.05	12	2.64	.522	13.26	.582	14.78	3/8	9.53	C1219	CM56	CR7	C1220	CM56	CR7A
3/4	19.05	13	2.34	.550	13.97	.615	15.62	3/8	9.53	C1221	CM58	CR8	C1222	CM58	CR8A
3/4	19.05	14	2.03	.574	14.58	.639	16.23	3/8	9.53	C1223	CM58	CR9	C1224	CM58	CR9A
3/4	19.05	15	1.83	.596	15.14	.661	16.79	3/8	9.53	C1225	CM58	CR10	C1226	CM58	CR10A
3/4	19.05	16	1.63	.605	15.37	.685	17.40	3/8	9.53	C1227	CM59	CR10	C1228	CM59	CR10A
3/4	19.05	17	1.42	.619	15.72	.699	17.75	3/8	9.53	C1229	CM59	CR11	C1230	CM59	CR11A
3/4	19.05	18	1.22	.619	15.72	.699	17.75	3/8	9.53	C1229	CM59	CR11	C1230	CM59	CR11A
7/8	22.23	10	3.25	.596	15.14	.661	16.79	3/8	9.53	C1225	CM58	CR10	C1226	CM58	CR10A
7/8	22.23	11	2.95	.619	15.72	.699	17.75	3/8	9.53	C1229	CM59	CR11	C1230	CM59	CR11A
7/8	22.23	12	2.64	.642	16.30	.722	18.34	3/8	9.53	C1231	CM59	CR12	C1232	CM59	CR12A
7/8	22.23	13	2.34	.670	17.02	.750	19.05	3/8	9.53	C1233	CM60	CR13	C1234	CM60	CR13A

NOTE – Mandrels supplied with square shank unless otherwise specially ordered



'C' Type 1200 Series

(continued)

Tube O.D.	Tube Thickness		Min. I.D. Tube Tool Enters		Maximum Expansion of Tool		Size Sq. on Mandrel		EXPANDER with 1 1/2" (38-10mm) long Rollers			Expander with 2 1/4" (57-15mm) long Rollers			
									Complete Tool No.	Mandrel No.	Set of Rollers No.	Complete Tool No.	Mandrel No.	Set of Rollers No.	
ins	mm	g'ge	mm	ins	mm	ins	mm	ins	mm						
7/8	22.23	14	2.03	.685	17.40	.774	19.66	3/8	9.53	C1235	CM61	CR14	C1236	CM61	CR14A
7/8	22.23	15	1.83	.712	18.08	.801	20.35	3/8	9.53	C1237	CM61	CR15	C1238	CM61	CR15A
7/8	22.23	16	1.63	.726	18.44	.815	20.70	3/8	9.53	C1239	CM62	CR15	C1240	CM62	CR15A
1	25.40	8	4.06	.655	16.64	.735	18.67	3/8	9.53	C1241	CM59	CR13	C1242	CM59	CR13A
1	25.40	9	3.66	.685	17.40	.774	19.66	3/8	9.53	C1235	CM61	CR14	C1236	CM61	CR14A
1	25.40	10	3.25	.712	18.08	.801	20.35	3/8	9.53	C1237	CM61	CR15	C1238	CM61	CR15A
1	25.40	11	2.95	.740	18.80	.829	21.06	3/8	9.53	C1243	CM62	CR16	C1244	CM62	CR16A
1	25.40	12	2.64	.763	19.58	.852	21.64	3/8	9.53	C1245	CM62	CR17	C1246	CM62	CR17A
1	25.40	13	2.34	.791	20.10	.880	22.35	3/8	9.53	C1247	CM62	CR18	C1248	CM62	CR18A
1	25.40	14	2.03	.810	20.57	.909	23.09	3/8	9.53	C1249	CM63	CR18	C1250	CM63	CR18A
1	25.40	15	1.83	.837	21.26	.936	23.77	3/8	9.53	C1251	CM63	CR19	C1252	CM63	CR19A
1	25.40	16	1.63	.837	21.26	.936	23.77	3/8	9.53	C1251	CM63	CR19	C1252	CM63	CR19A
1 1/8	28.58	8	4.06	.776	19.71	.875	22.23	3/8	9.53	C1253	CM63	CR20	C1254	CM63	CR20A
1 1/8	28.58	9	3.66	.810	20.57	.909	23.09	3/8	9.53	C1249	CM63	CR18	C1250	CM63	CR18A
1 1/8	28.58	10	3.25	.837	21.26	.936	23.77	3/8	9.53	C1251	CM63	CR19	C1252	CM63	CR19A
1 1/8	28.58	11	2.95	.865	21.97	.964	24.97	3/8	9.53	C1255	CM63	CR21	C1256	CM63	CR21A
1 1/8	28.58	12	2.64	.883	22.43	.982	24.94	1/2	12.70	C1257	CM64	CR21	C1258	CM64	CR21A
1 1/8	28.58	13	2.34	.916	23.27	1.015	25.78	1/2	12.70	C1259	CM64	CR22	C1260	CM64	CR22A
1 1/8	28.58	14	2.03	.935	23.75	1.044	26.52	1/2	12.70	C1261	CM65	CR23	C1262	CM65	CR23A
1 1/8	28.58	15	1.83	.962	24.43	1.071	27.20	1/2	12.70	C1263	CM65	CR24	C1264	CM65	CR24A
1 1/8	28.58	16	1.63	.962	24.43	1.071	27.20	1/2	12.70	C1263	CM65	CR24	C1264	CM65	CR24A
1 1/4	31.75	8	4.06	.901	22.89	1.010	25.65	1/2	12.70	C1265	CM65	CR25	C1266	CM65	CR25A
1 1/4	31.75	9	3.66	.935	23.75	1.044	26.52	1/2	12.70	C1261	CM65	CR23	C1262	CM65	CR23A
1 1/4	31.75	10	3.25	.962	24.43	1.071	27.20	1/2	12.70	C1263	CM65	CR24	C1264	CM65	CR24A
1 1/4	31.75	11	2.95	.990	25.15	1.099	27.91	1/2	12.70	C1267	CM66	CR26	C1268	CM66	CR26A
1 1/4	31.75	12	2.64	1.013	25.73	1.122	28.49	1/2	12.70	C1269	CM66	CR27	C1270	CM66	CR27A
1 1/4	31.75	13	2.34	1.041	26.44	1.150	29.21	1/2	12.70	C1271	CM67	CR28	C1272	CM67	CR28A
1 1/4	31.75	14	2.03	1.060	26.92	1.169	29.70	1/2	12.70	C1273	CM67	CR29	C1274	CM67	CR29A
1 1/4	31.75	15	1.83	1.087	27.61	1.196	30.38	1/2	12.70	C1275	CM67	CR30	C1276	CM67	CR30A
1 1/4	31.75	16	1.63	1.087	27.61	1.196	30.38	1/2	12.70	C1275	CM67	CR30	C1276	CM67	CR30A
1 3/8	34.93	8	4.06	1.026	26.06	1.135	28.83	1/2	12.70	C1277	CM67	CR31	C1278	CM67	CR31A
1 3/8	34.93	9	3.66	1.060	26.92	1.169	29.70	1/2	12.70	C1273	CM67	CR29	C1274	CM67	CR29A
1 3/8	34.93	10	3.25	1.087	27.61	1.196	30.38	1/2	12.70	C1275	CM67	CR30	C1276	CM67	CR30A
1 3/8	34.93	11	2.95	1.115	28.12	1.224	31.09	1/2	12.70	C1279	CM68	CR30	C1280	CM68	CR30A
1 3/8	34.93	12	2.64	1.133	28.78	1.242	31.55	1/2	12.70	C1281	CM68	CR32	C1282	CM68	CR32A
1 3/8	34.93	13	2.34	1.160	29.46	1.275	32.38	1/2	12.70	C1283	CM69	CR33	C1284	CM69	CR33A
1 3/8	34.93	14	2.03	1.179	29.95	1.294	32.87	1/2	12.70	C1285	CM70	CR34	C1286	CM70	CR34A
1 3/8	34.93	15	1.83	1.206	30.63	1.321	33.55	1/2	12.70	C1287	CM70	CR35	C1288	CM70	CR35A
1 3/8	34.93	16	1.63	1.206	30.63	1.321	33.55	1/2	12.70	C1287	CM70	CR35	C1288	CM70	CR35A
1 1/2	38.10	8	4.06	1.145	29.08	1.260	32.00	1/2	12.70	C1289	CM69	CR34	C1290	CM69	CR34A
1 1/2	38.10	9	3.66	1.179	29.95	1.294	32.87	1/2	12.70	C1285	CM70	CR34	C1286	CM70	CR34A
1 1/2	38.10	10	3.25	1.206	30.63	1.321	33.55	1/2	12.70	C1287	CM70	CR35	C1288	CM70	CR35A
1 1/2	38.10	11	2.95	1.235	31.39	1.350	34.29	1/2	12.70	C1291	CM70	CR36	C1292	CM70	CR36A
1 1/2	38.10	12	2.64	1.257	31.93	1.372	34.85	1/2	12.70	C1293	CM70	CR37	C1294	CM70	CR37A
1 1/2	38.10	13	2.34	1.285	32.64	1.400	35.56	1/2	12.70	C1295	CM71	CR37	C1296	CM71	CR37A
1 1/2	38.10	14	2.03	1.285	32.64	1.400	35.56	1/2	12.70	C1295	CM71	CR37	C1296	CM71	CR37A
1 1/2	38.10	15	1.83	1.331	33.81	1.446	36.73	1/2	12.70	C1297	CM71	CR38	C1298	CM71	CR38A
1 1/2	38.10	16	1.63	1.331	33.81	1.446	36.73	1/2	12.70	C1297	CM71	CR38	C1298	CM71	CR38A

NOTE – Mandrels supplied with square shank unless otherwise specially ordered

WICKSTEED ENGINEERING LIMITED