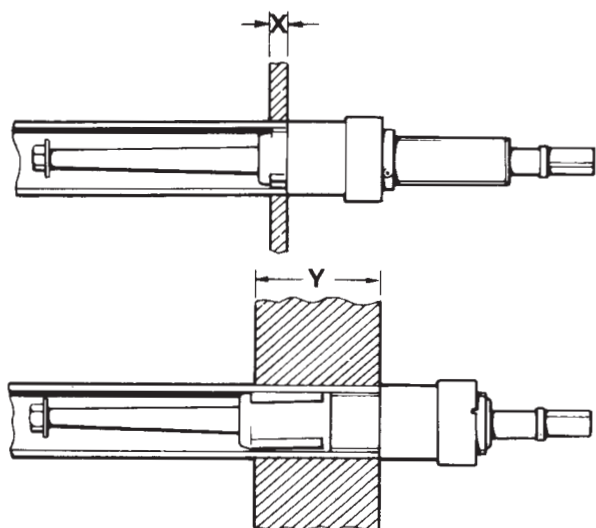


'C' Type 8012 Series

Long Reach, Self Feeding with Adjustable Bearing Housing



STANDARD TOOLS

Fitted with 2³/₈" (60.32mm)
long roller to give 2"
(50.80mm) effective parallel
rolling length

X = 1/2" (12.70mm)

Y = 4" (102mm)

TABLE RELATING

Tube O.D.		Tube Thickness		Min. I.D. Tube Tool Enters		Maximum Expansion of Tool		Size Sq. on Mandrel		Complete Tool	Mandrel	Set of Rollers
ins	mm	g'ge	mm	ins	mm	ins	mm	ins	mm	No.	No.	No.
1 ³ / ₄	44.45	8-9	4.06 3.66	1.358	34.49	1.563	39.70	3/4	19.05	C8012-1 ³ / ₄ -8/9	CM90	CR39A
1 ³ / ₄	44.45	10	3.25	1.420	36.07	1.607	40.82	3/4	19.05	C8012-1 ³ / ₄ -10	CM90	CR40
1 ³ / ₄	44.45	11	2.95	1.454	36.93	1.635	41.53	3/4	19.05	C8012-1 ³ / ₄ -11	CM90	CR42
1 ³ / ₄	44.45	12	2.64	1.482	37.64	1.657	42.09	3/4	19.05	C8012-1 ³ / ₄ -12	CM90	CR44
1 ³ / ₄	44.45	13	2.34	1.510	38.35	1.685	42.80	3/4	19.05	C8012-1 ³ / ₄ -13	CM90	CR46
1 ³ / ₄	44.45	14	2.03	1.532	38.91	1.709	43.41	3/4	19.05	C8012-1 ³ / ₄ -14	CM90	CR48
1 ³ / ₄	44.45	16	1.63	1.570	40.00	1.810	45.87	3/4	19.05	C8012-1 ³ / ₄ -16	CM90	CR50
2	50.80	10	3.25	1.640	41.66	1.857	47.17	3/4	19.05	C8012-2 10	CM91	CR50
2	50.80	11	2.95	1.670	42.42	1.885	47.88	3/4	19.05	C8012-2 11	CM91	CR52
2	50.80	12	2.64	1.704	43.28	1.907	48.44	3/4	19.05	C8012-2 12	CM91	CR54
2	50.80	13	2.34	1.732	43.99	1.935	49.15	3/4	19.05	C8012-2 13	CM91	CR56A
2 ¹ / ₄	57.15	8-9	4.06 3.66	1.825	46.38	2.024	51.40	3/4	19.05	C8012-2 ¹ / ₄ -8/9	CM92	CR52
2 ¹ / ₄	57.15	10	3.25	1.890	48.00	2.107	53.52	3/4	19.05	C8012-2 ¹ / ₄ -10	CM92	CR56
2 ¹ / ₄	57.15	11	2.95	1.920	48.77	2.135	54.23	3/4	19.05	C8012-2 ¹ / ₄ -11	CM92	CR58
2 ¹ / ₄	57.15	12	2.64	1.954	49.63	2.157	54.79	3/4	19.05	C8012-2 ¹ / ₄ -12	CM92	CR60
2 ¹ / ₄	57.15	13-14	2.34-2.03	1.982	50.34	2.185	55.50	3/4	19.05	C8012-2 ¹ / ₄ -13/14	CM92	CR62
2 ¹ / ₂	63.50	10-12	3.25-2.64	2.140	54.36	2.407	61.14	3/4	19.05	C8012-2 ¹ / ₂ -10/12	CM93	CR64
2 ¹ / ₂	63.50	13-14	2.34-2.03	2.232	56.69	2.435	61.85	1	25.4	C8012-2 ¹ / ₂ -13/14	CM94	CR64
2 ³ / ₄	69.85	10-14	3.25-2.03	2.390	60.70	2.671	67.84	1	25.4	C8012-2 ³ / ₄ -10/14	CM95	CR66
3	76.20	8-9	4.06-3.66	2.525	64.14	2.733	69.42	1	25.4	C8012-3 -8/9	CM96	CR66
3	76.20	10-14	3.25-2.03	2.640	67.06	2.921	74.19	1	25.4	C8012-3 -10/14	CM96	CR67

NOTE – Mandrels supplied with square shank unless otherwise specially ordered