

'C' Type RC 1200 Series

Long Reach, Self Feeding with Adjustable Reversible Bearing Housing

This range of tools is fitted with a reversible bearing housing assembly. This type of housing allows you to set a 3mm standoff on the first tubesheet and a varying standoff of up to 25mm on the second tubesheet. This deeper recess allows the expanded joint to flow unrestricted thus preventing tubes from bending and excessive stresses building up in tube bundle. Excessive standoff can be trimmed back using a tube end facer (see page 39 for details).

EXPANDER with 1 1/2" (38.10mm) long Rollers

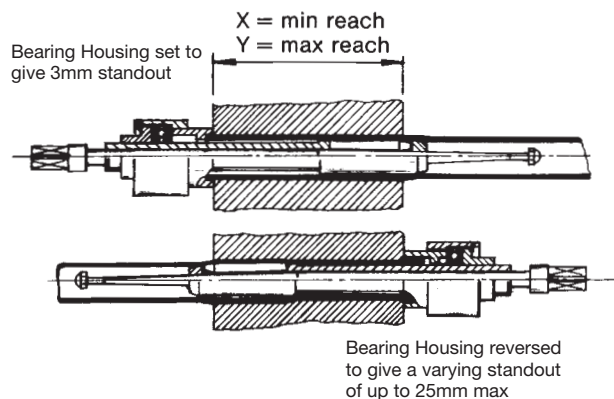
X = 1 1/2" (38.10mm)
Y = 5 1/4" (133.35 mm)

Effective parallel rolling length 1 1/4" (31.75mm)

EXPANDER with 2 1/4" (57.15m) long Rollers

X = 2 1/4" (57.15mm)
Y = 6" (152.40mm)

Effective parallel rolling length 2" (50.80mm)



Tube Expanders fitted with 5 rollers are available for expanding thin wall and titanium tubes. Please speak to our sales team for more information.

TABLE RELATING

Tube O.D.	Tube Thickness		Min. I.D. Tube Tool Enters		Maximum Expansion of Tool		Size Sq. on Mandrel		EXPANDER with 1 1/2" (38.10mm) long Rollers			Expander with 2 1/4" (57.15mm) long Rollers			
	ins	mm	g'ge	mm	ins	mm	ins	mm	Complete Tool No.	Mandrel No.	Set of Rollers No.	Complete Tool No.	Mandrel No.	Set of Rollers No.	
1/2	12.70	14	2.03	.333	8.45	.375	9.52	1/4	6.35	RC1200S	CM1200S	CR0			
1/2	12.70	15	1.83	.344	8.74	.394	10.00	1/4	6.35	RC1200	CM50	CR0			
1/2	12.70	16	1.63	.360	9.14	.410	10.41	1/4	6.35	RC1201	CM51	CR1			
1/2	12.70	17	1.42	.374	9.50	.424	10.77	1/4	6.35	RC1203	CM51	CR2			
1/2	12.70	18	1.22	.392	9.96	.447	11.35	3/8	9.53	RC1205	CM52	CR3			
5/8	15.88	12	2.64	.392	9.96	.447	11.35	3/8	9.53	RC1205	CM52	CR3			
5/8	15.88	13	2.34	.425	10.79	.480	12.19	3/8	9.53	RC1207	CM53	CR4			
5/8	15.88	14	2.03	.449	11.40	.509	12.93	3/8	9.53	RC1209	CM54	CR4	RC1210	CM54	CR4A
5/8	15.88	15	1.83	.471	11.96	.536	13.61	3/8	9.53	RC1211	CM55	CR5	RC1212	CM55	CR5A
5/8	15.88	16	1.63	.485	12.32	.550	13.97	3/8	9.53	RC1213	CM55	CR6	RC1214	CM55	CR6A
5/8	15.88	17	1.42	.499	12.67	.564	14.33	3/8	9.53	RC1215	CM56	CR6	RC1216	CM56	CR6A
5/8	15.88	18	1.22	.517	13.13	.572	14.53	3/8	9.53	RC1217	CM57	CR7	RC1218	CM57	CR7A
3/4	19.05	10	3.25	.471	11.96	.536	13.61	3/8	9.53	RC1211	CM55	CR5	RC1212	CM55	CR5A
3/4	19.05	11	2.95	.499	12.67	.564	14.33	3/8	9.53	RC1215	CM56	CR6	RC1216	CM56	CR6A
3/4	19.05	12	2.64	.522	13.26	.582	14.78	3/8	9.53	RC1219	CM56	CR7	RC1220	CM56	CR7A
3/4	19.05	13	2.34	.550	13.97	.615	15.62	3/8	9.53	RC1221	CM58	CR8	RC1222	CM58	CR8A
3/4	19.05	14	2.03	.574	14.58	.639	16.23	3/8	9.53	RC1223	CM58	CR9	RC1224	CM58	CR9A
3/4	19.05	15	1.83	.596	15.14	.661	16.79	3/8	9.53	RC1225	CM58	CR10	RC1226	CM58	CR10A
3/4	19.05	16	1.63	.605	15.37	.685	17.40	3/8	9.53	RC1227	CM59	CR10	RC1228	CM59	CR10A
3/4	19.05	17	1.42	.619	15.72	.699	17.75	3/8	9.53	RC1229	CM59	CR11	RC1230	CM59	CR11A
3/4	19.05	18	1.22	.619	15.72	.699	17.75	3/8	9.53	RC1229	CM59	CR11	RC1230	CM59	CR11A
7/8	22.23	10	3.25	.596	15.14	.661	16.79	3/8	9.53	RC1225	CM58	CR10	RC1226	CM58	CR10A
7/8	22.23	11	2.95	.619	15.72	.699	17.75	3/8	9.53	RC1229	CM59	CR11	RC1230	CM59	CR11A
7/8	22.23	12	2.64	.642	16.30	.722	18.34	3/8	9.53	RC1231	CM59	CR12	RC1232	CM59	CR12A
7/8	22.23	13	2.34	.670	17.02	.750	19.05	3/8	9.53	RC1233	CM60	CR13	RC1234	CM60	CR13A

NOTE – Mandrels supplied with square shank unless otherwise specially ordered