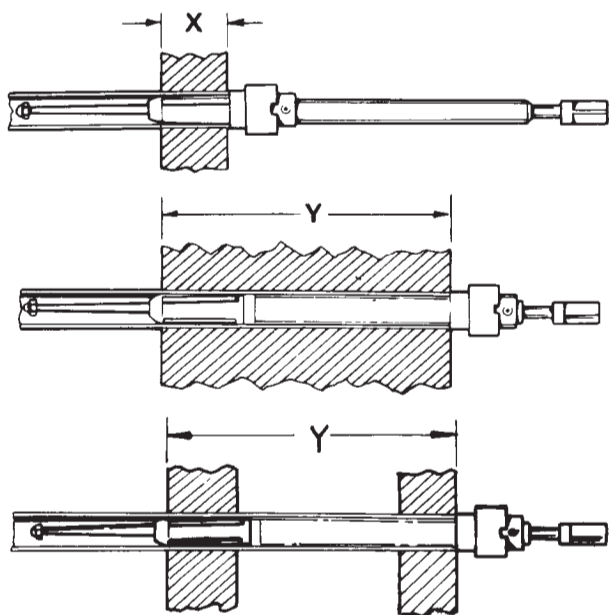


'C' Type 1200 Series

Long Reach, Self Feeding with Adjustable Bearing Housing



EXPANDER with 1½" (38.10mm) long Rollers

X = 1½" (38.10mm)
Y = 6" (152.40mm)

Effective parallel rolling length 1¼" (31.75mm)

EXPANDER with 2¼" (57.15mm) long Rollers

X = 2¼" (57.15mm)
Y = 6¾" (171.45mm)

Effective parallel rolling length 2" (50.80mm)



Tube Expanders fitted with 5 rollers are available for expanding thin wall and titanium tubes. Please speak to our sales team for more information.

TABLE RELATING

Tube O.D.	Tube Thickness		Min. I.D. Tube Tool Enters		Maximum Expansion of Tool		Size Sq. on Mandrel		EXPANDER with 1½" (38.10mm) long Rollers			Expander with 2¼" (57.15mm) long Rollers			
									Complete Tool No.	Mandrel No.	Set of Rollers No.	Complete Tool No.	Mandrel No.	Set of Rollers No.	
ins	mm	g'ge	mm	ins	mm	ins	mm	ins	mm						
½	12.70	14	2.03	.333	8.45	.375	9.52	¼	6.35	C1200S	CM1200S	CR0			
½	12.70	15	1.83	.344	8.74	.394	10.00	¼	6.35	C1200	CM50	CR0			
½	12.70	16	1.63	.360	9.14	.410	10.41	¼	6.35	C1201	CM51	CR1			
½	12.70	17	1.42	.374	9.50	.424	10.77	¼	6.35	C1203	CM51	CR2			
½	12.70	18	1.22	.392	9.96	.447	11.35	⅜	9.53	C1205	CM52	CR3			
⅝	15.88	12	2.64	.392	9.96	.447	11.35	⅜	9.53	C1205	CM52	CR3			
⅝	15.88	13	2.34	.425	10.79	.480	12.19	⅜	9.53	C1207	CM53	CR4			
⅝	15.88	14	2.03	.449	11.40	.509	12.93	⅜	9.53	C1209	CM54	CR4	C1210	CM54	CR4A
⅝	15.88	15	1.83	.471	11.96	.536	13.61	⅜	9.53	C1211	CM55	CR5	C1212	CM55	CR5A
⅝	15.88	16	1.63	.485	12.32	.550	13.97	⅜	9.53	C1213	CM55	CR6	C1214	CM55	CR6A
⅝	15.88	17	1.42	.499	12.67	.564	14.33	⅜	9.53	C1215	CM56	CR6	C1216	CM56	CR6A
⅝	15.88	18	1.22	.517	13.13	.572	14.53	⅜	9.53	C1217	CM57	CR7	C1218	CM57	CR7A
¾	19.05	10	3.25	.471	11.96	.536	13.61	⅜	9.53	C1211	CM55	CR5	C1212	CM55	CR5A
¾	19.05	11	2.95	.499	12.67	.564	14.33	⅜	9.53	C1215	CM56	CR6	C1216	CM56	CR6A
¾	19.05	12	2.64	.522	13.26	.582	14.78	⅜	9.53	C1219	CM56	CR7	C1220	CM56	CR7A
¾	19.05	13	2.34	.550	13.97	.615	15.62	⅜	9.53	C1221	CM58	CR8	C1222	CM58	CR8A
¾	19.05	14	2.03	.574	14.58	.639	16.23	⅜	9.53	C1223	CM58	CR9	C1224	CM58	CR9A
¾	19.05	15	1.83	.596	15.14	.661	16.79	⅜	9.53	C1225	CM58	CR10	C1226	CM58	CR10A
¾	19.05	16	1.63	.605	15.37	.685	17.40	⅜	9.53	C1227	CM59	CR10	C1228	CM59	CR10A
¾	19.05	17	1.42	.619	15.72	.699	17.75	⅜	9.53	C1229	CM59	CR11	C1230	CM59	CR11A
¾	19.05	18	1.22	.619	15.72	.699	17.75	⅜	9.53	C1229	CM59	CR11	C1230	CM59	CR11A
⅞	22.23	10	3.25	.596	15.14	.661	16.79	⅜	9.53	C1225	CM58	CR10	C1226	CM58	CR10A
⅞	22.23	11	2.95	.619	15.72	.699	17.75	⅜	9.53	C1229	CM59	CR11	C1230	CM59	CR11A
⅞	22.23	12	2.64	.642	16.30	.722	18.34	⅜	9.53	C1231	CM59	CR12	C1232	CM59	CR12A
⅞	22.23	13	2.34	.670	17.02	.750	19.05	⅜	9.53	C1233	CM60	CR13	C1234	CM60	CR13A

NOTE – Mandrels supplied with square shank unless otherwise specially ordered